

InnoLIFT

A U S T R A L I A

The Revolutionary Selfloader for Vans and Light Trucks



In Actions



Proudly manufactured in Finland

Our Unique Finnish Selfloader



After loading the cargo, InnoLIFT climbs into the van itself. The space needed is the same as with a hand pallet truck. The unloading process is as easy as the loading.



The new InnoLift lifts up to 1000 kilograms. The new easily rotating wheels enable agile maneuvering.

Efficient

With a van and an InnoLift, you can load, unload and deliver your cargo safely and efficiently to your client. Thanks to the fast operation you are able to make even more deliveries.

Safe

Ergonomic design and simple operation let's you avoid health and safety risks. It also reduces sick days due to strain. The InnoLift is very easy and safe to operate.

High-quality

Careful planning, superior standard parts and high class manufacturing ensure reliable and durable products. The InnoLift is CE marked and it meets all international quality standards.



The InnoLift Selfloader Lifter for closed pallets (Chep) is also available

InnoLIFT in use



1. Load the cargo into the van.



2. Pull the support legs out and lift the chassis up.

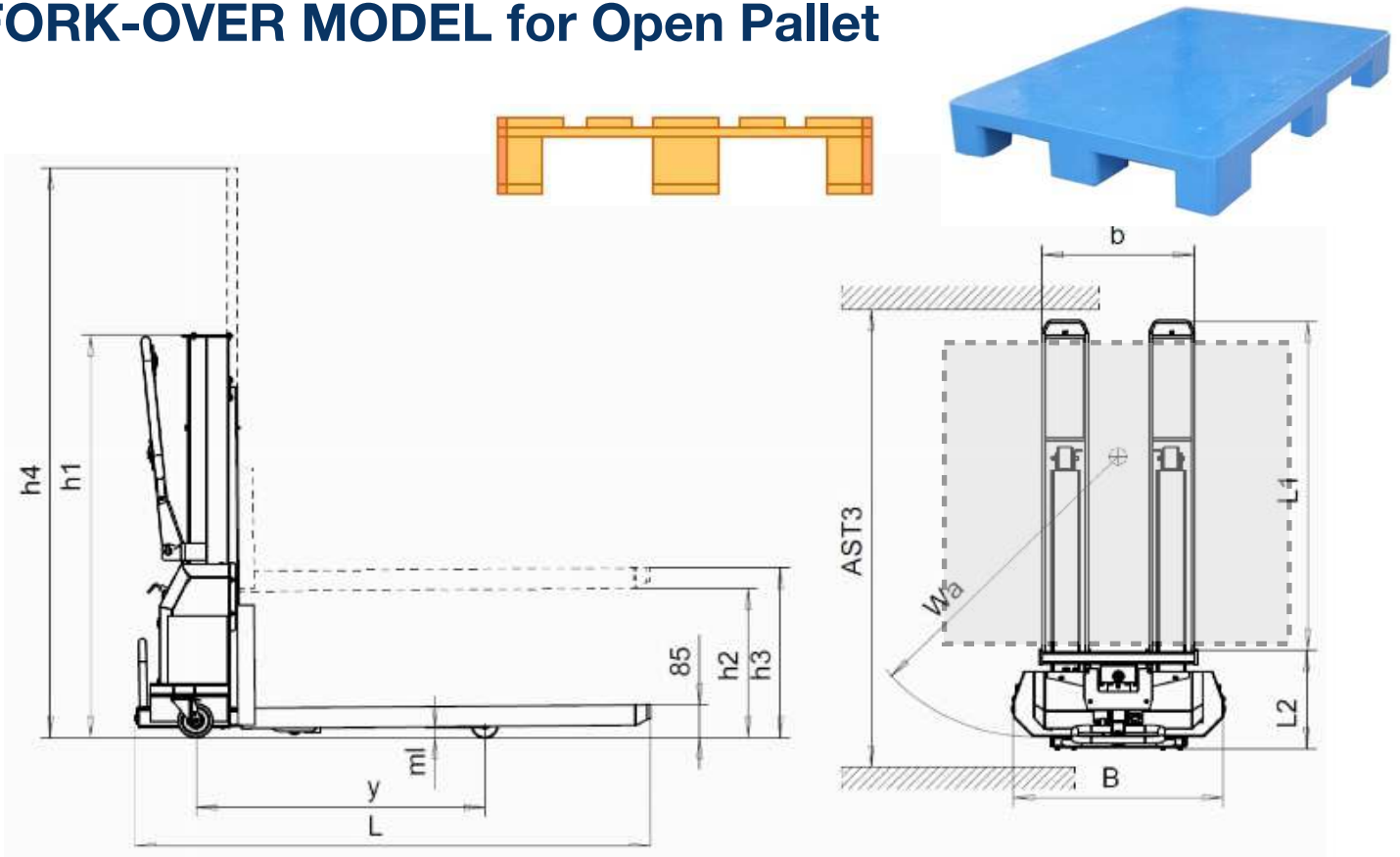


3. Push the support legs back in.

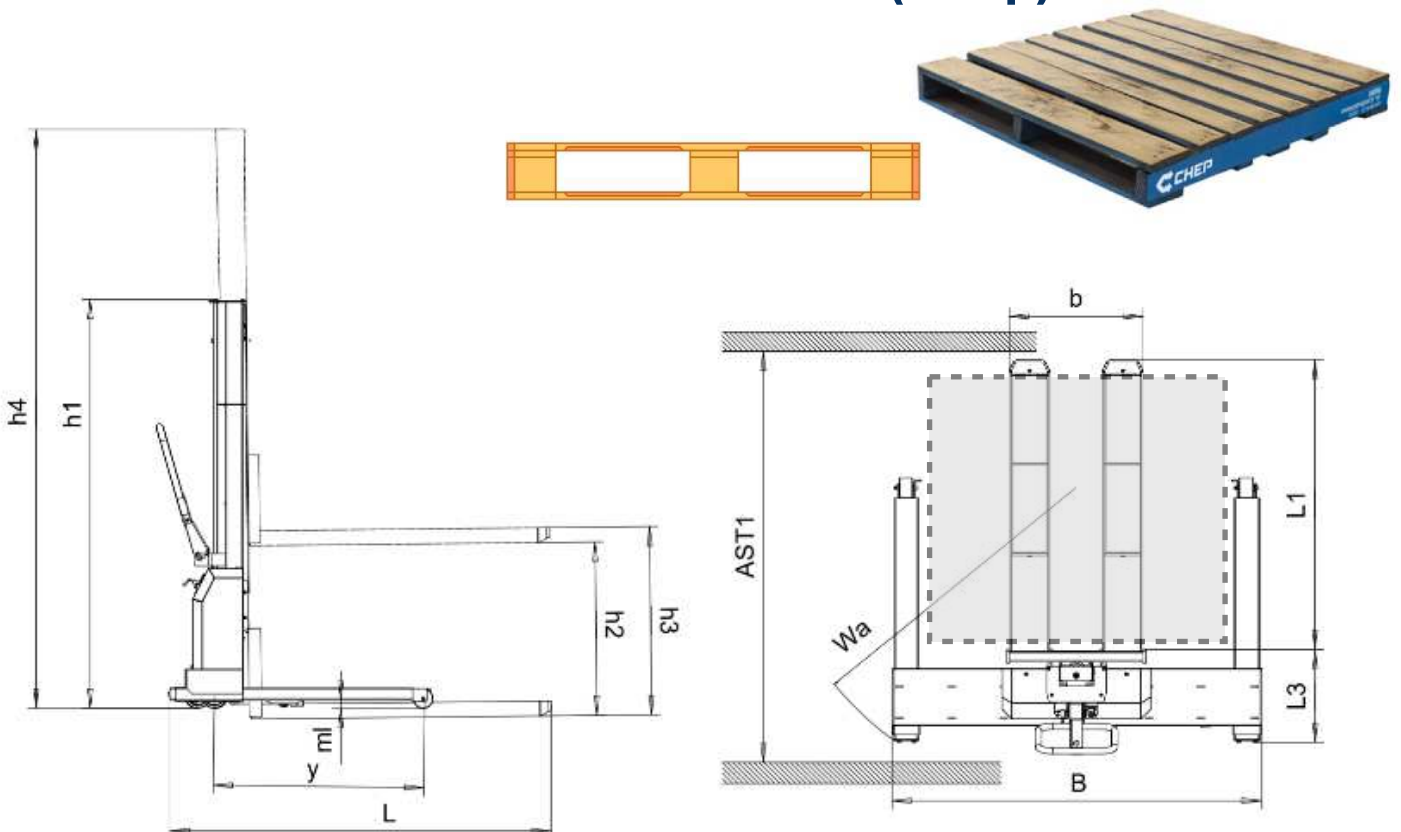


4. Push the InnoLift and the cargo into the van.

FORK-OVER MODEL for Open Pallet



STRADDLE MODEL for Closed Pallet (Chep)



Technical Data and Models FORK-OVER MODEL for Open Pallet



IM600.800

IL600.1000

IXL500.1250

STANDARD MODELS "Fork-Over"

	Power	Capacity kg	Overall Lowered Height * mm (h1)	Loading Height mm (h2)	Lifting Height mm (h3)	Chassis Width mm (B)
# IM600.800	Battery	600	1200	700	800	760
# IL600.1000	Battery	600	1400	900	1000	760
# IXL500.1250	Battery	500	1650	1150	1250	760



IV300.800



IS600.700

IL1000.1000

IXL800.1250

IXXL400.1400

SPECIAL MODELS "Fork-Over"

	Power	Capacity kg	Overall Lowered Height * mm (h1)	Loading Height mm (h2)	Lifting Height mm (h3)	Chassis Width mm (B)
# IV300.800	Manual	300	1080	700	800	710
# IS600.700	Battery	600	1100	600	700	760
# IL1000.1000	Battery	1000	1460	900	1000	1000
# IXL800.1250	Battery	800	1710	1150	1250	1000
# IXXL400.1400	Battery	400	1800	1300	1400	760
# IXXL700.1550	Battery	650	2010	1450	1550	1000

* Key Factor for Vans

Please email to sales@moveit.com.au for current pricing

All prices/specifications subject to change without notice

Technical Data and Models STRADDLE MODEL for Closed Pallet (Chep)



STRADDLE MODELS (for closed pallets / Chep Pallet)

	Power	Capacity kg	Overall Lowered Height * mm (h1)	Loading Height mm (h2)	Lifting Height mm (h3)	Chassis Width mm (B)
# IL600.1000.US	Battery	600	1400	900	1000	1290
# IXL550.1250.US	Battery	550	1650	1150	1250	1490
# IXXL500.1400.US	Battery	500	1800	1300	1400	1490

* Key Factor for Vans

Please email to sales@emoveit.com.au for current pricing

Innolift OPTIONS

	Description
# 21226	Cable system for charging while driving
# 61598C	Rear Plate 800mm, adjustable (covers 90% of the vehicles)
# 61597	Rear Plate 1000mm, adjustable (covers 90% of the vehicles)
# 20251	Closed AGM Power Battery 12V 34Ah with machine - Upgrade
# 21383	Microprocessor Smart Charger 12V/10A, 240V - Spare part
# 20018	Microprocessor Smart Charger 12V/10A, 110V US - Spare part

All prices/specifications subject to change without notice.

**Not sure which model to suit your application or vehicle?
Please send us your details and dimensions:**

Name

Email

Phone

Company

1. What is your freight-lifting requirement?
The maximum weigh you need to lift into and out of your vehicle.

2. What is your loading height?
Measurement from ground to the cargo floor.

3. If loading into an enclosed vehicle, what is your door opening height (for lowered height)?
Measurement from cargo floor to lowest point of door opening (accounting for door hinges).

4. If loading into an enclosed vehicle or pickup truck, what is the distance between your rear wheel housings?
Re: forkover or straddle type

5. Are you using Pallets, Skids or both? (Open or Closed (Chep) Pallets)

6. Enter any additional vehicle or loading information here.

Please fill this form and email us at sales@emoveit.com.au