

NEW ELECTRIC HIGH TIP MINI DUMPER MTH500 TO DUMP UP TO 500KG AT 136CM HEIGHT



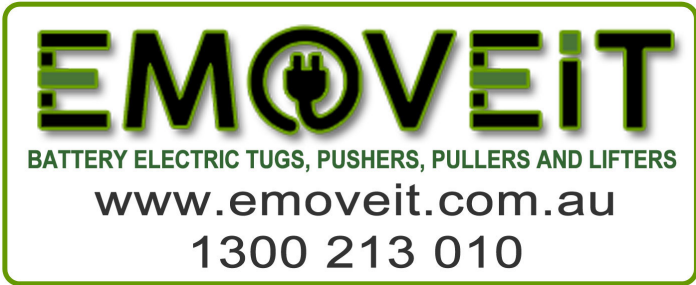
MTH500 Mini Dumper

The MTH500 is the next step in Alitrak's proven MT500 line — a compact mini dumper built for sites where payload capacity, weight limits, and ease of use all matter.

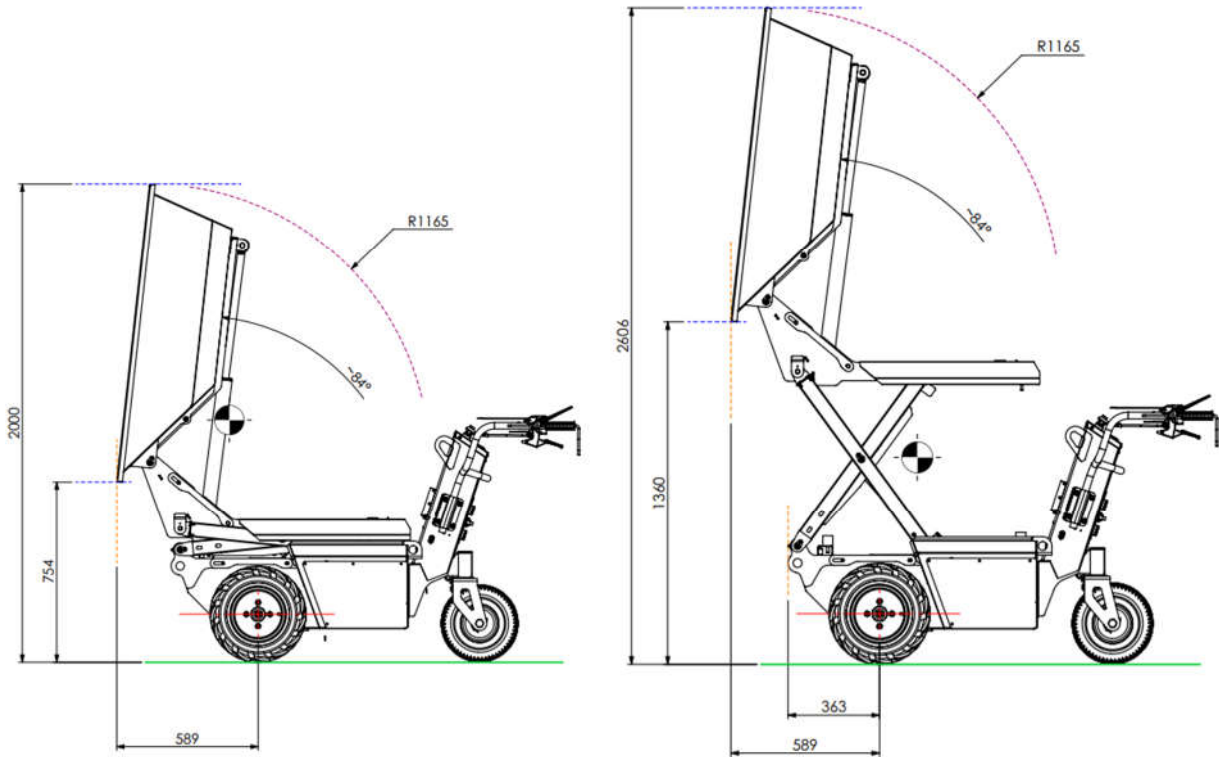
The standout feature is a high-tip function that unloads at 136 cm while carrying up to 500 kg. Combined machine and load weight stays under 1,000 kg, which opens up the MTH500 for use on weight-restricted sites where heavier equipment simply isn't an option.

An integrated front LED headlight keeps visibility clear in low-light conditions. The skip is controlled directly from the handlebar, so operators never need to let go — reducing distraction and keeping the workflow moving.

An optional inclinometer adds an automatic safety layer, detecting front and side tilt that could affect stability and restricting operation before conditions become unsafe.



DIMENSIONS, FEATURES AND OPERATION



Length x width x height with skip lowered: 1885 x 782 x 1070 mm

TECHNICAL FEATURES

- Machine body:** 4 puncture-proof polyurethane-filled wheels
- Skip capacity:** 220 L
- Operating control type:** Handlebar
- Throttle:** On the handgrip
- Direction control:** Lever on the handlebar
- Battery charger:** 13A high-frequency charger
- Information display:** Battery status, system faults, hour meter
- Parking brake:** Electromagnetic
- Batteries:** AGM 2 x 12V / 100Ah (C20), maintenance-free
- Electric motor:** 1500W AC, S2 60 min
- Net machine weight:** 435 kg

OPERATION

- Load capacity on flat ground:** 500 kg
- Maximum front slope with skip lowered:** 20%
- Forward speed:** fast 5 km/h – slow 2.5 km/h
- Reverse speed:** fast and slow 1.5 km/h
- Total battery recharge time:** 8 hours